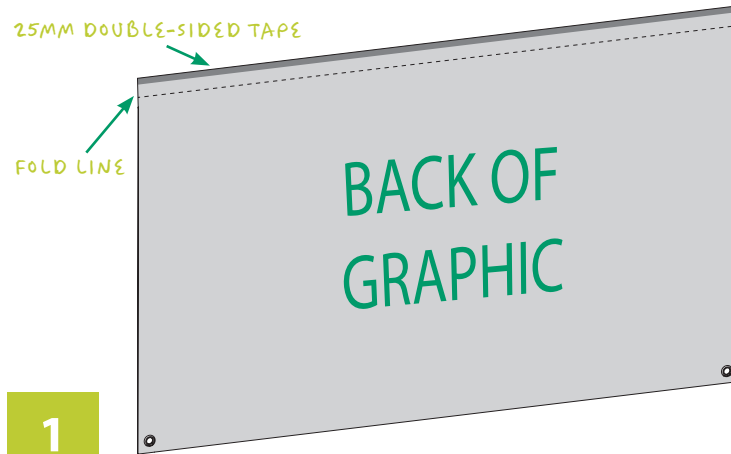
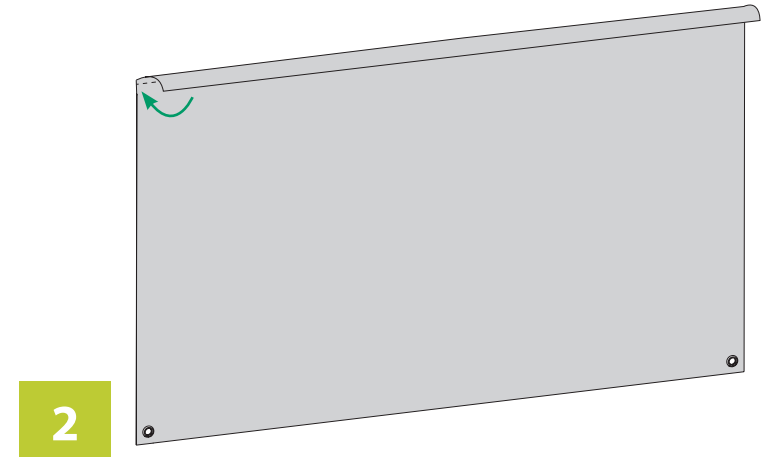


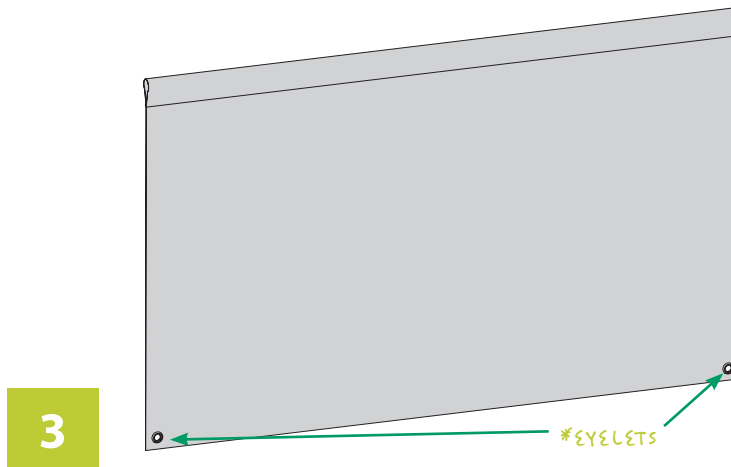
ATTACH A GRAPHIC TO THE ESPRESSO CROSS ARMS



Apply 25mm double-sided tape to rear top edge of graphic.



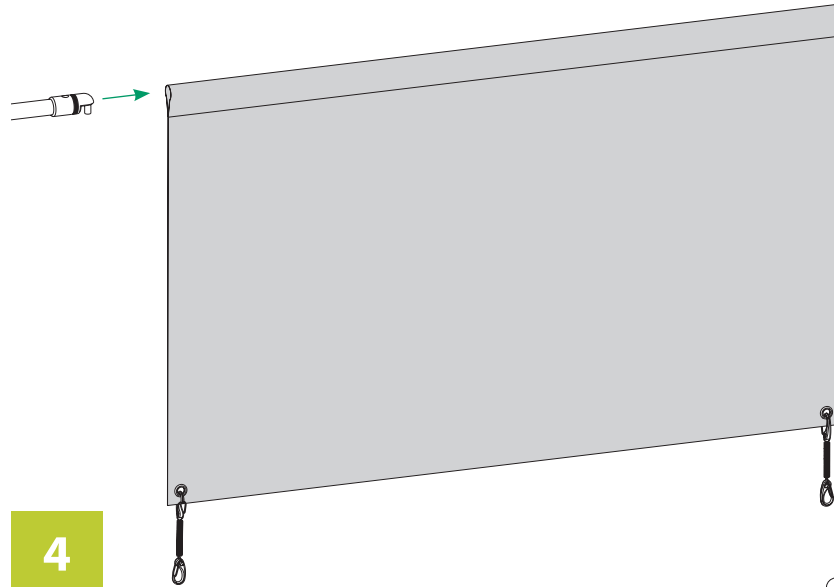
Fold graphic to create two pole pockets with a 75mm internal height.



*FOR POSITION OF EYELETS SEE PAGE 3

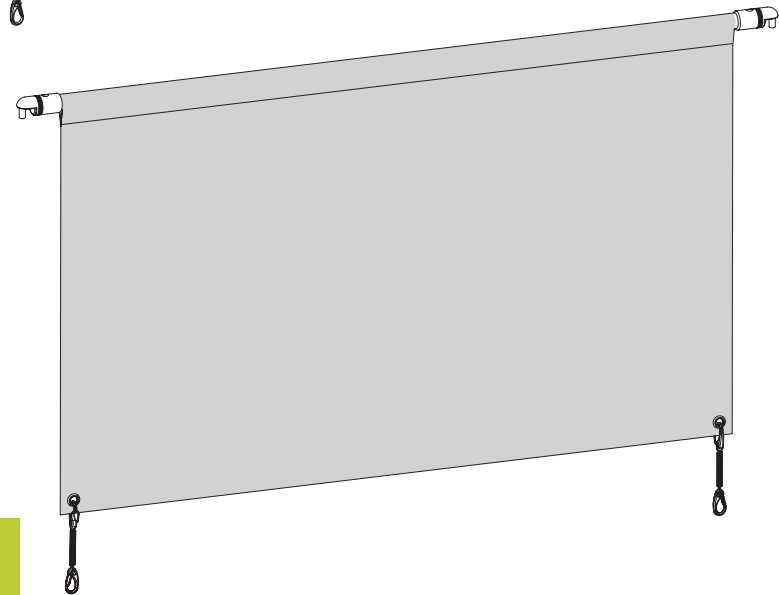
IMPORTANT NOTE:
Graphics from Printdesigns are supplied complete ready to use with the pole pocket made for you to use!

ATTACH A GRAPHIC TO THE ESPRESSO CROSS ARMS



4

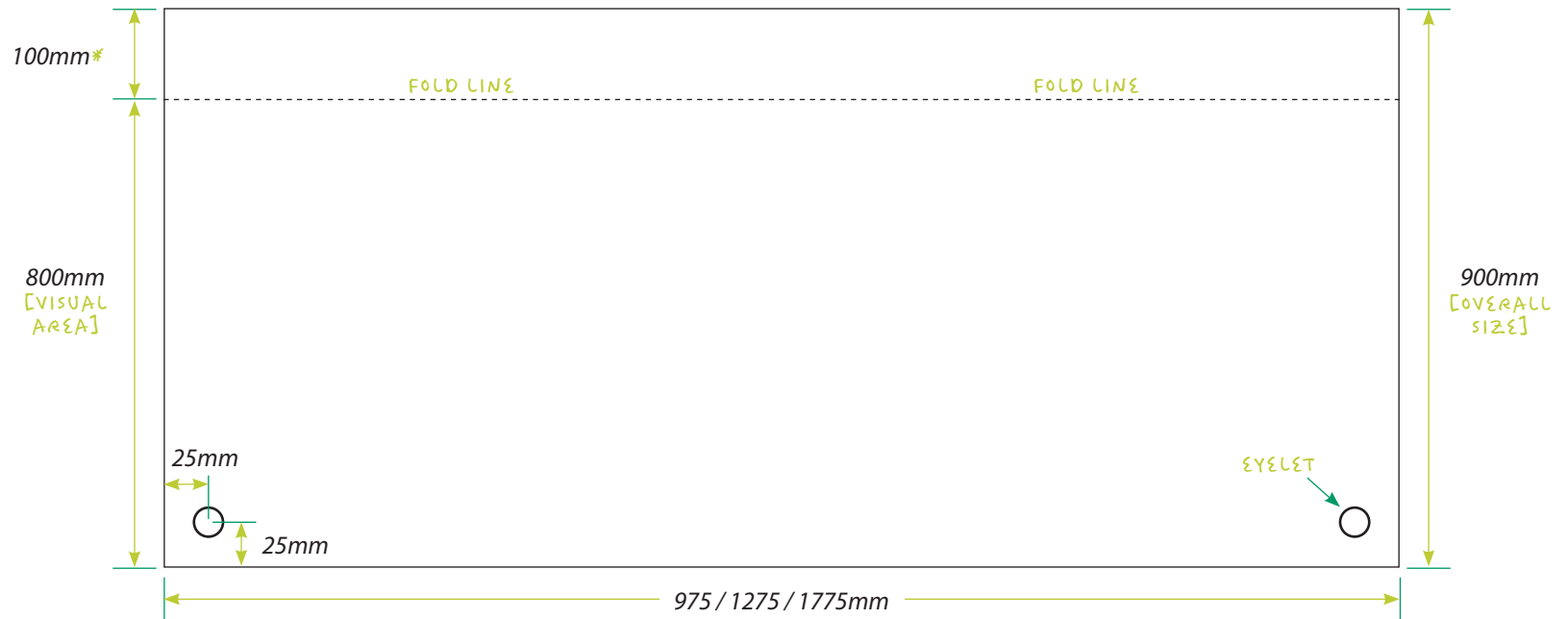
Slide cross arm into pole pocket. Attach spring clips through eyelets.



5



ESPRESSO CAFÉ BANNER GRAPHIC PANEL SIZES



* A SIZE OF 100MM ALLOWS FOR 25MM WIDE DOUBLE-SIDED SELF-ADHESIVE TAPE TO BE USED TO FINISH THE POLE POCKET.