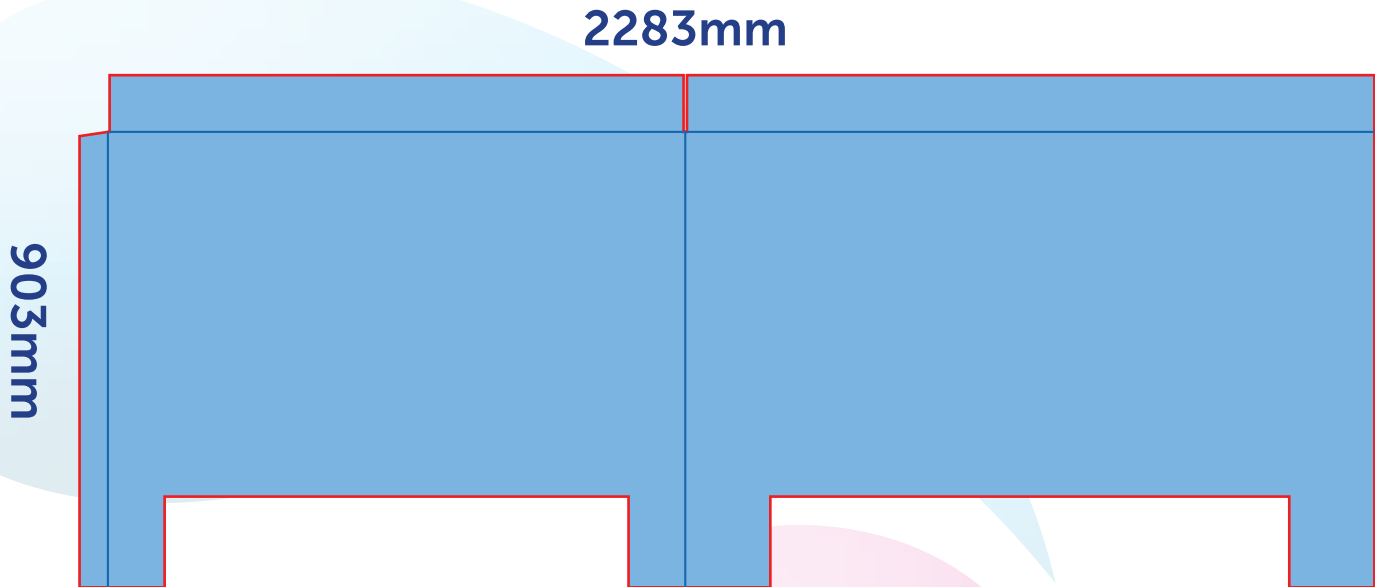


Artwork setup guide



- Please note that the blue keyline on the above image illustrates the where the creases are.
- The two top flaps are non viewable areas, so can be left blank.
- Accepted file formats are: PDF, Jpg or Tiff
- Use CMYK colour mode
- Resolution to be 150dpi at full size, 300dpi at half size or 600dpi at quarter size.
- Include 5mm of bleed around each edge and save your file with crop marks
- Please ensure that all images are embedded into the file and all fonts outlined before saving.

Hardware Specifications	Graphic Specifications	Additional Information
<p>Hardware dimensions approx (mm) 800mm (h) 1200mm (w) 1000mm (d)</p> <p>Weight: 4Kg including graphic</p>	<p>Visible graphic dimensions approx (mm) From Front - 1215mm x 803mm</p> <p>Choice of Substrates: 4mm Corex fluted plastic</p>	<p>Included in kit Printed graphic panels</p>