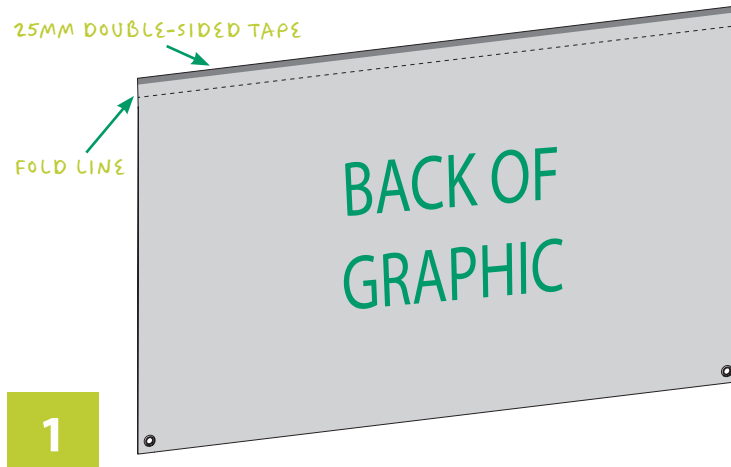
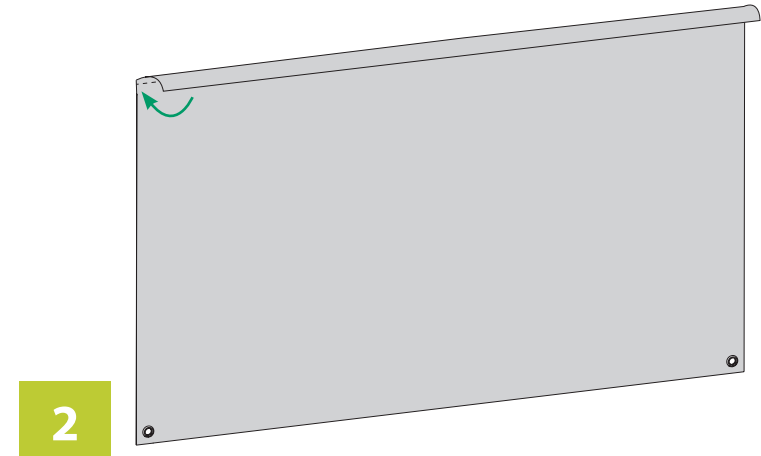


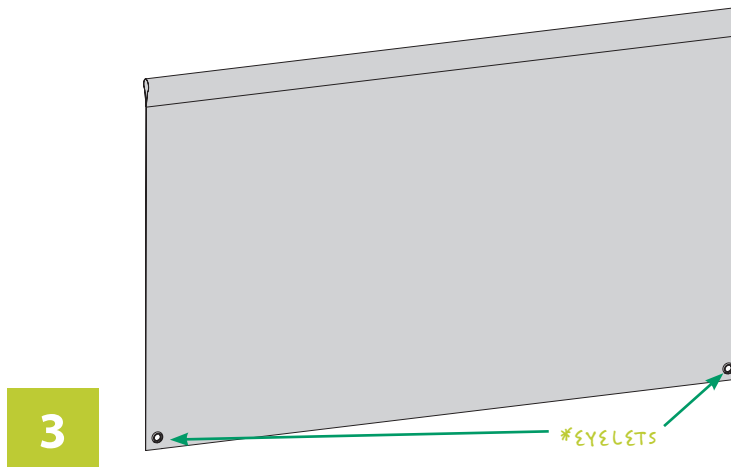
# ATTACH A GRAPHIC TO THE MEDIO WRAP CROSS ARMS



Apply 25mm double-sided tape to rear top edge of graphic.



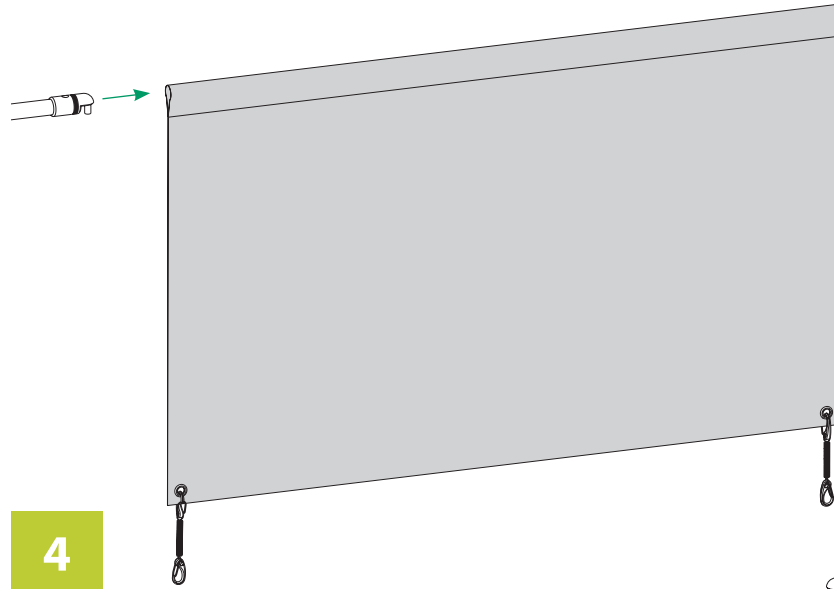
Fold graphic to create two pole pockets with a 75mm internal height.



\*FOR POSITION OF EYELETS SEE PAGE 3

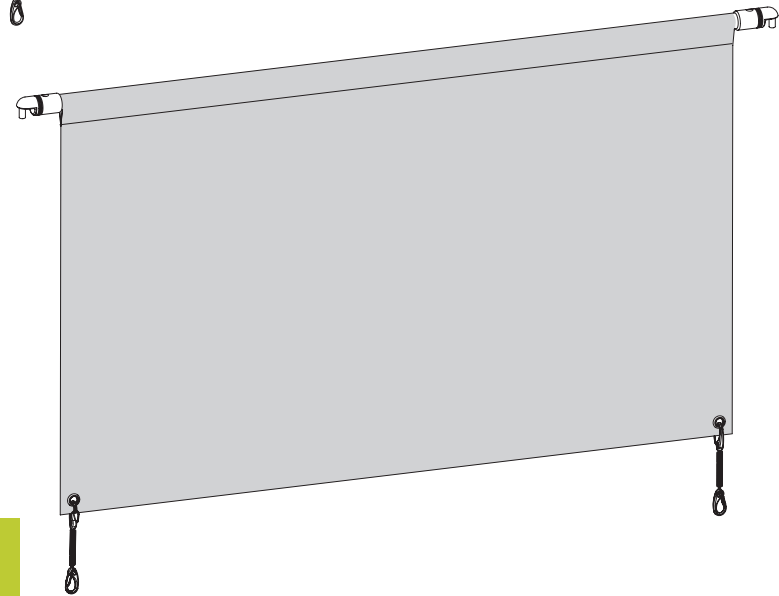
**IMPORTANT NOTE:**  
 ALL GRAPHICS FROM PRINTDESIGNS COME COMPLETE AND READY TO USE WITH THE POLE POCKETS MADE FOR YOU.

# ATTACH A GRAPHIC TO THE MEDIO WRAP CROSS ARMS



4

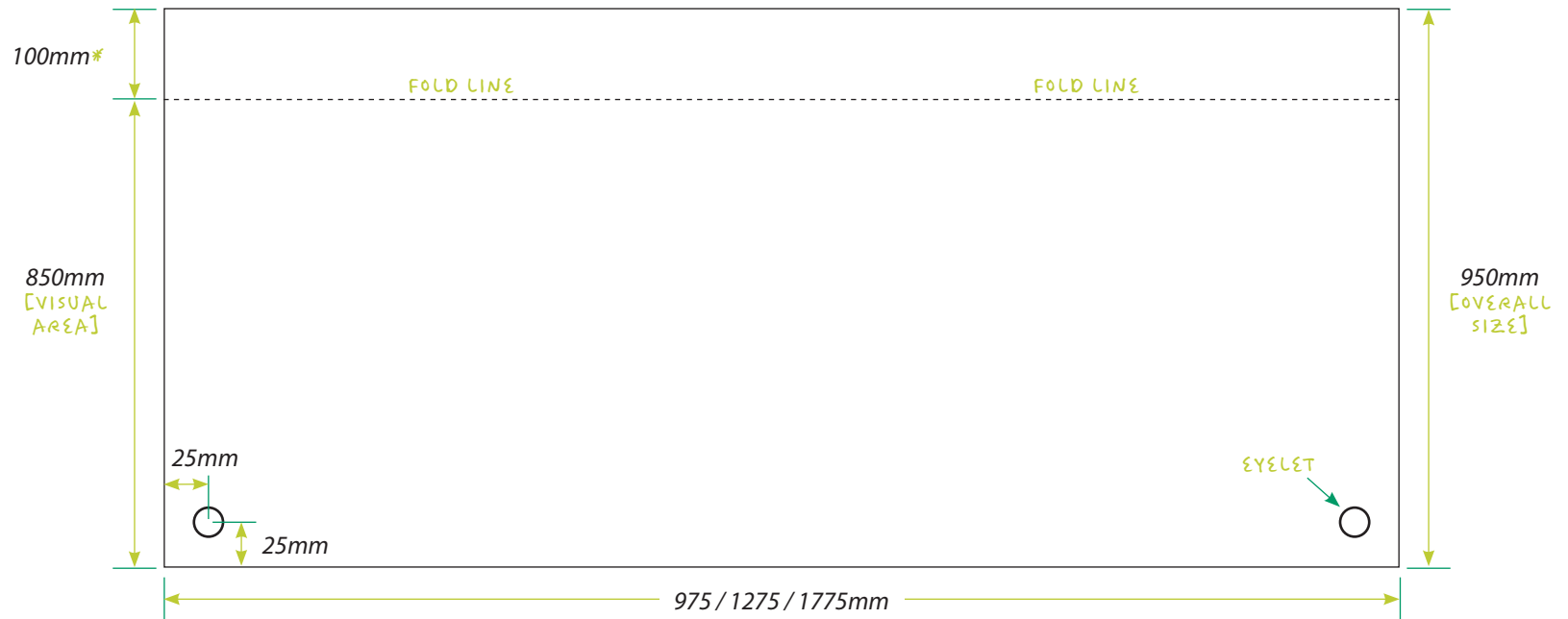
Slide cross arm into pole pocket. Attach spring clips through eyelets.



5



# MEDIO WRAP CAFÉ BANNER GRAPHIC PANEL SIZES



\* A SIZE OF 100MM ALLOWS FOR 25MM WIDE DOUBLE-SIDED SELF-ADHESIVE TAPE TO BE USED TO FINISH THE POLE POCKET. IF OTHER WIDTHS OF DOUBLE-SIDED TAPE, OR IF OTHER METHODS OF FINISHING THE POLE POCKET ARE USED, PLEASE ADJUST THE SIZE OF THE POLE POCKET ACCORDINGLY.