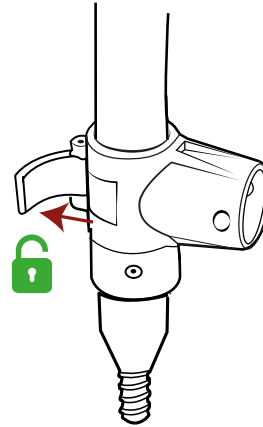
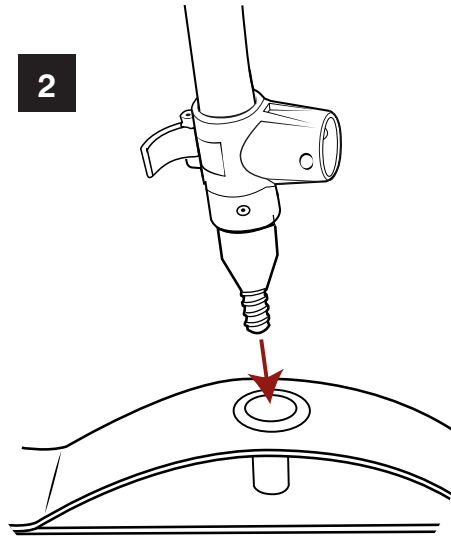


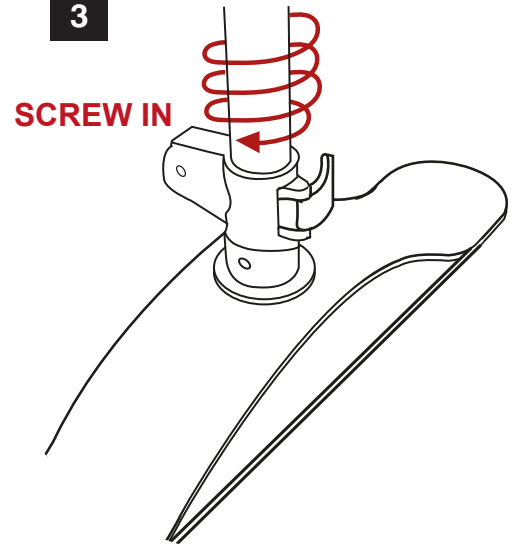
1



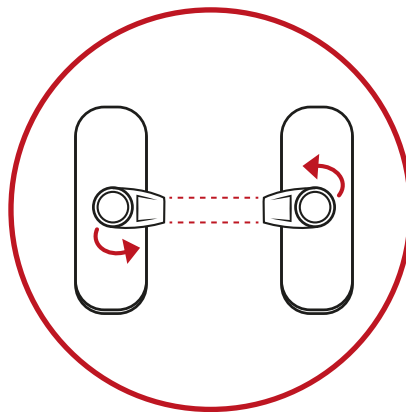
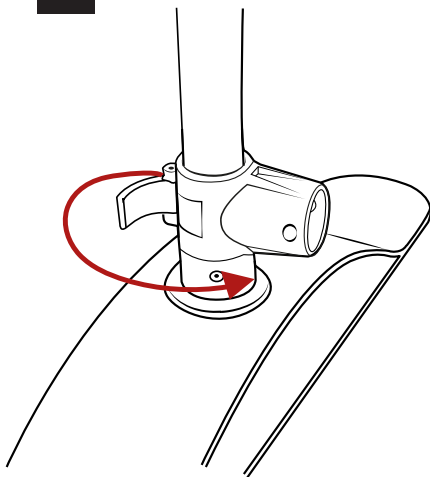
2



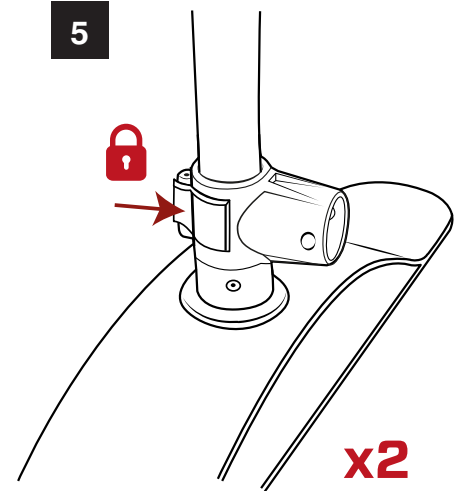
3



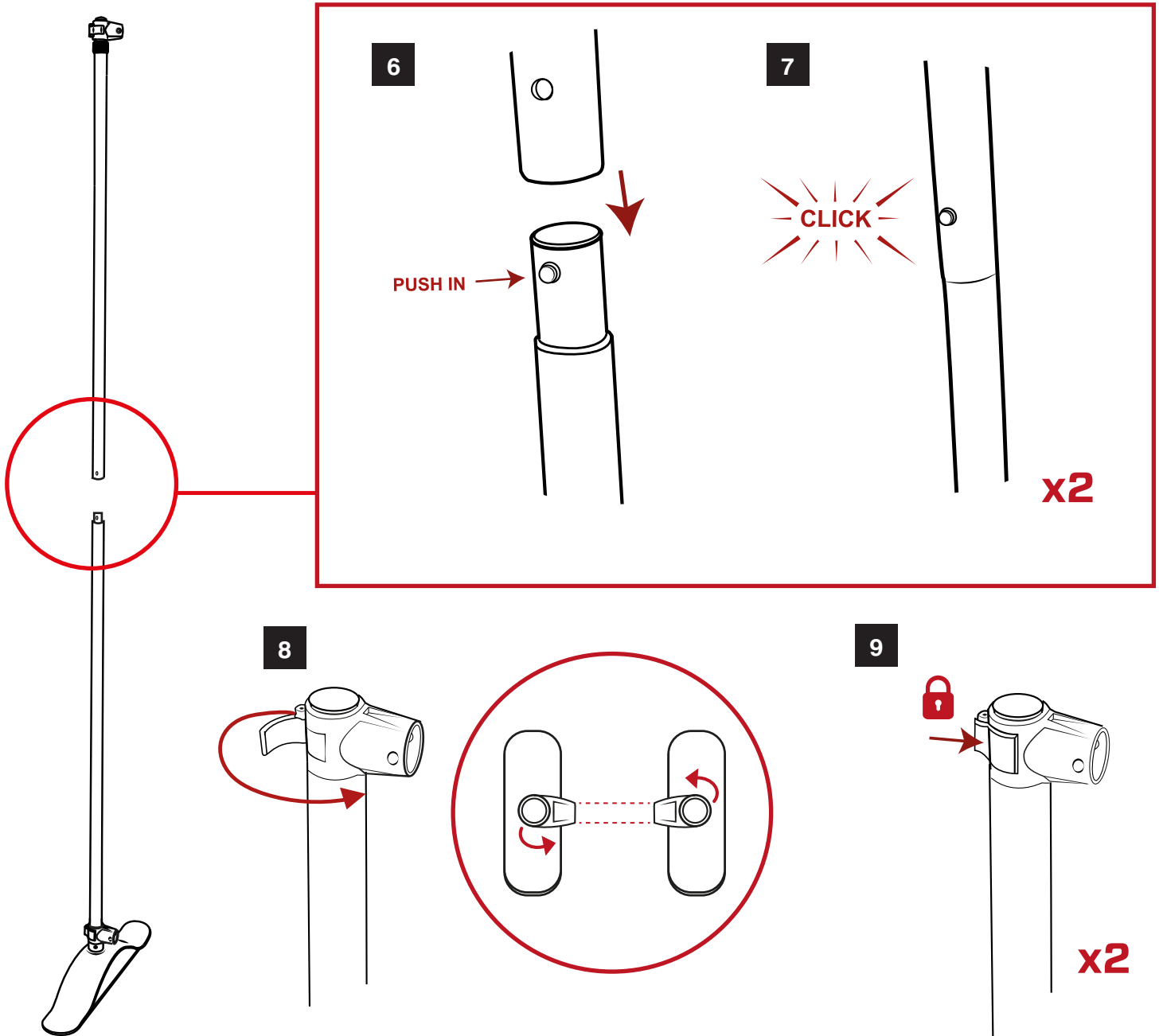
4



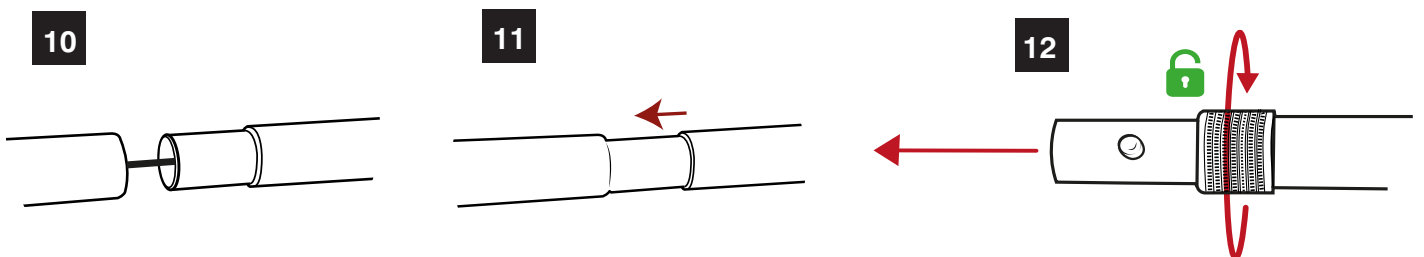
5



### ASSEMBLING VERTICAL POLES

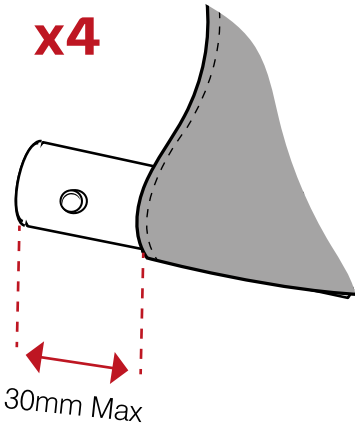


### ASSEMBLING HORIZONTAL POLES

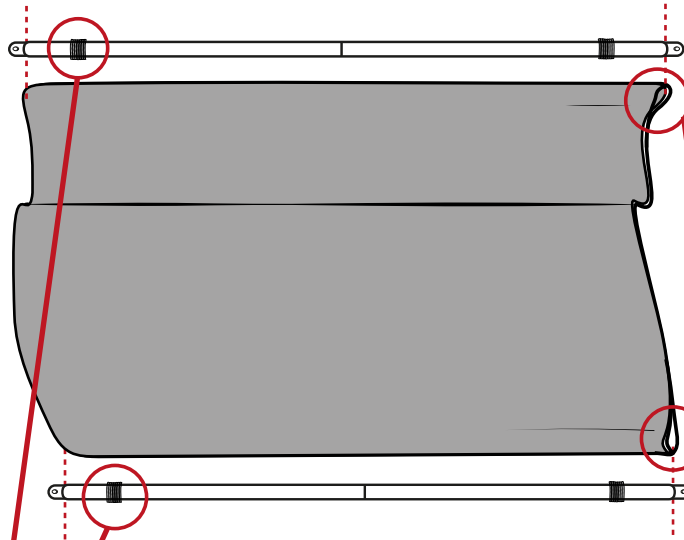


**IMPORTANT**

**x4**



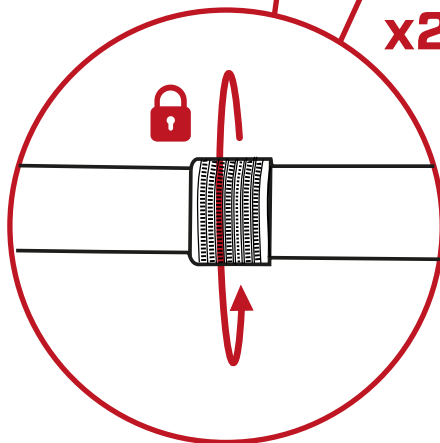
**INSERTING INTO GRAPHIC**



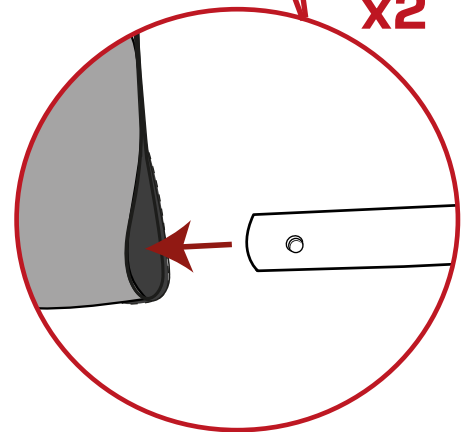
**x2**

**x2**

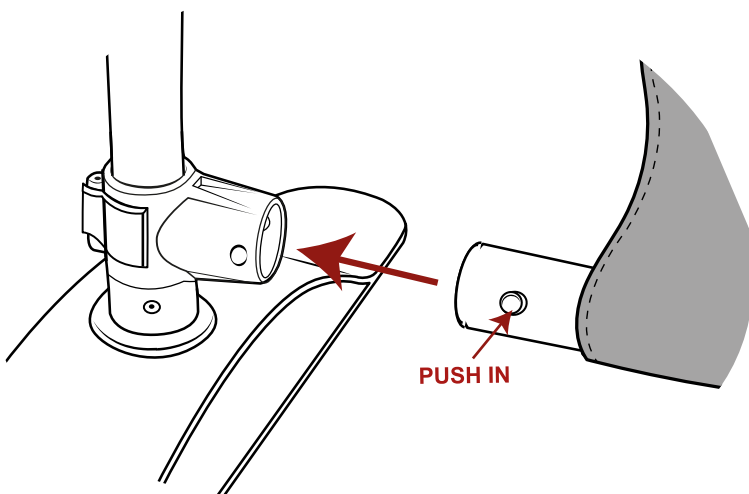
**13**



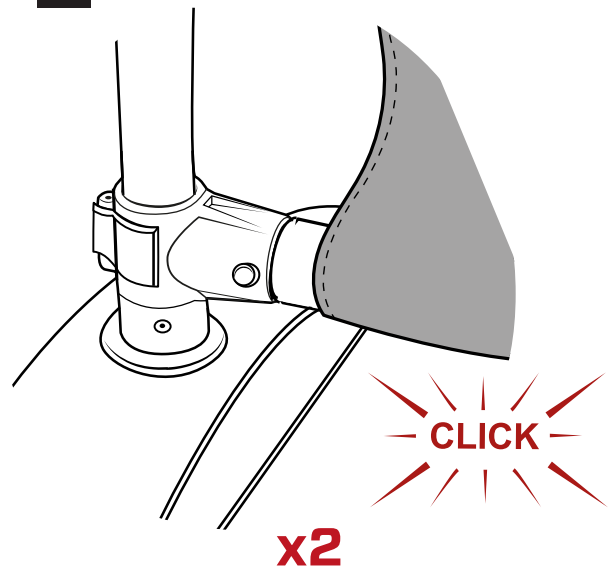
**14**

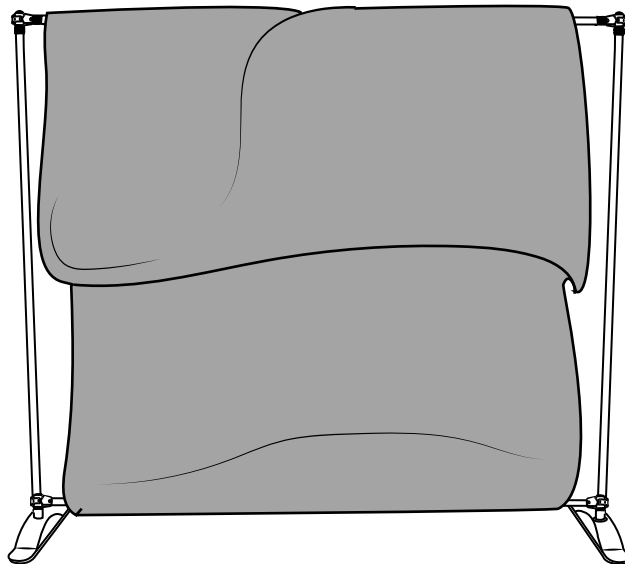
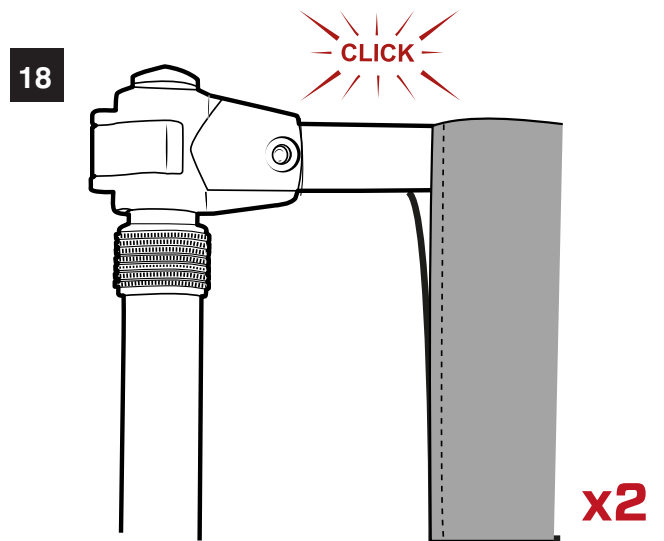
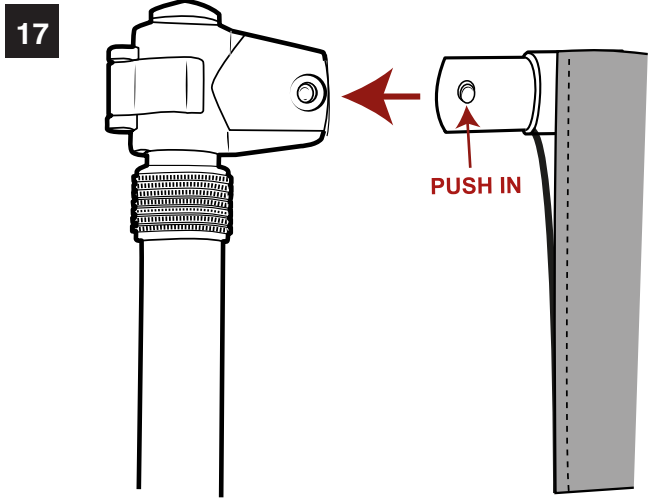


**15**



**16**





### ADJUSTING THE FRAME

