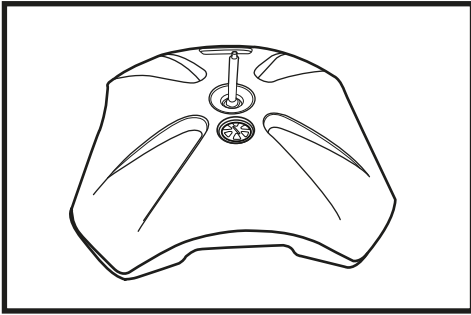
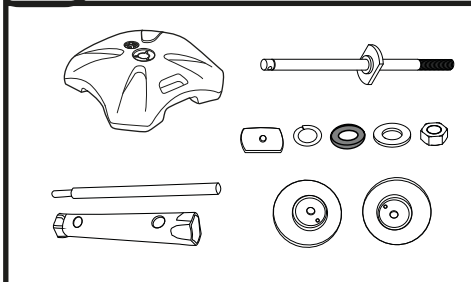


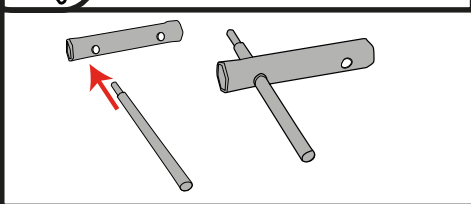
Stackable Water Base



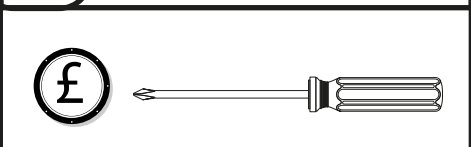
PARTS (NOT TO SCALE)



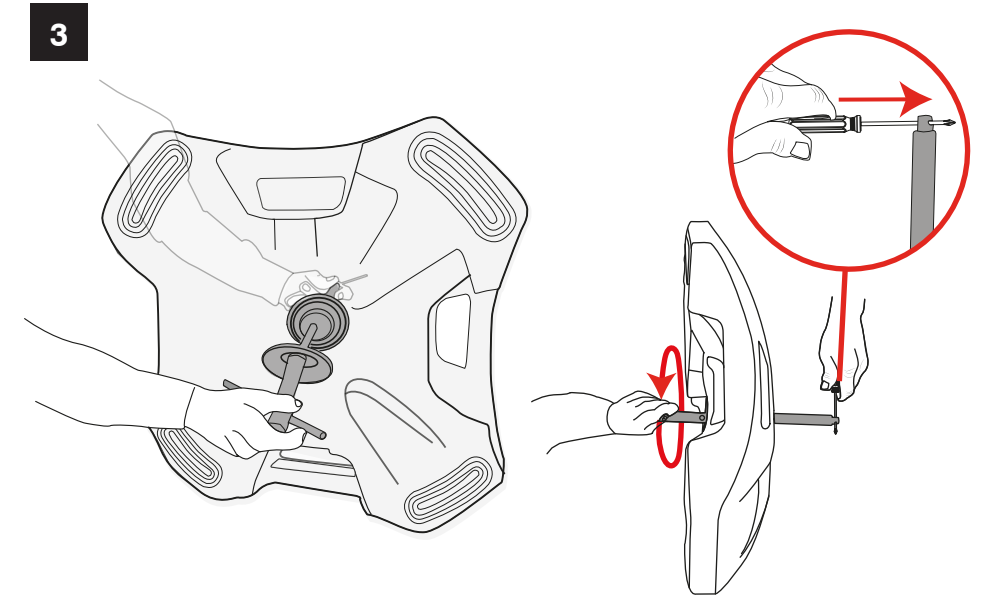
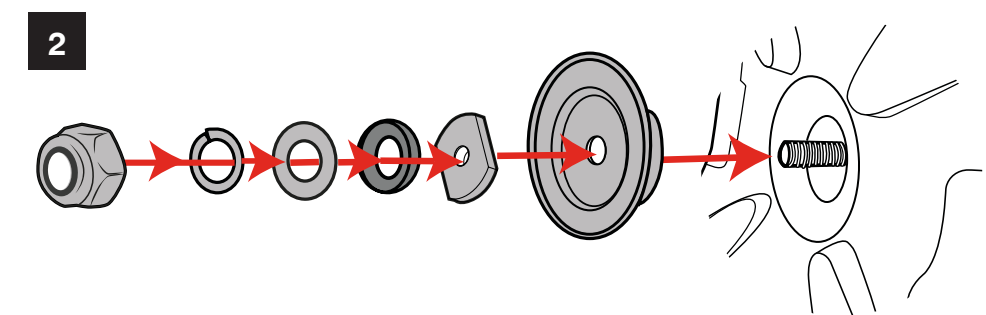
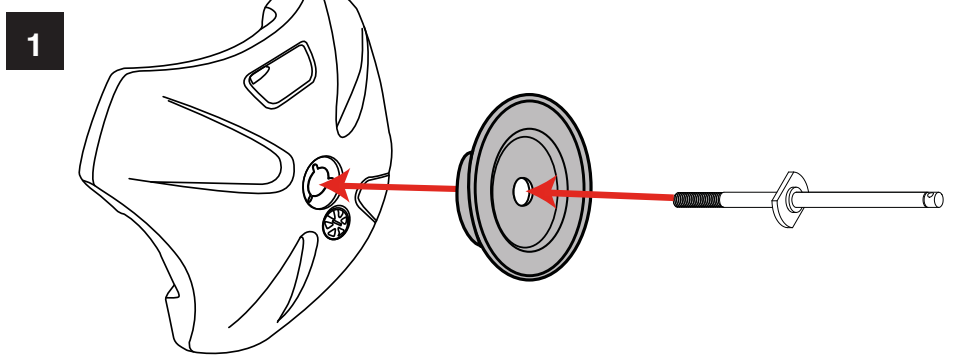
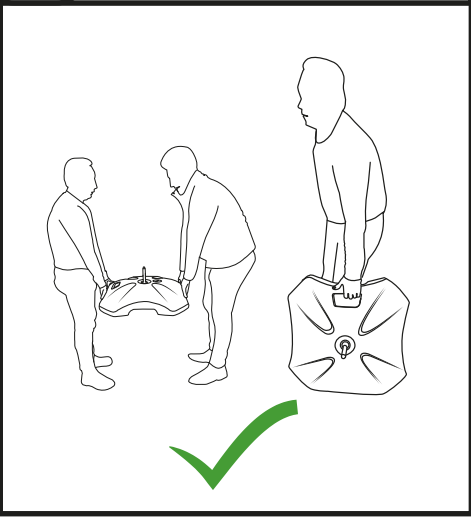
ASSEMBLY OF BOX SPANNER



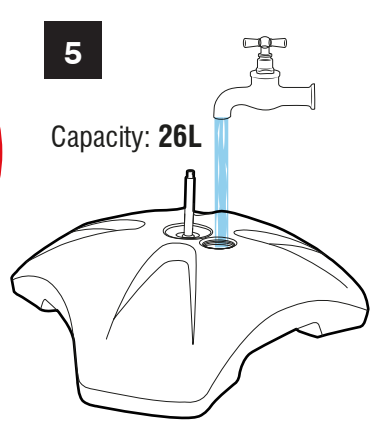
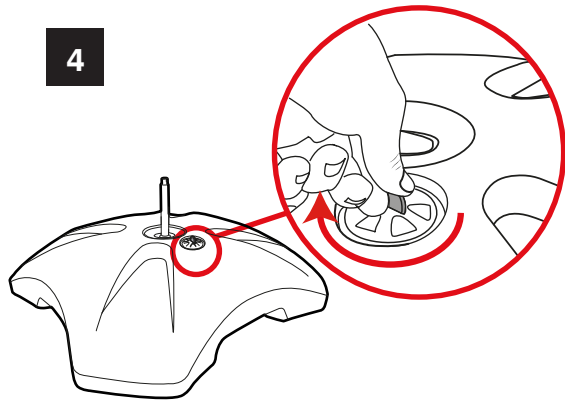
TOOLS REQUIRED



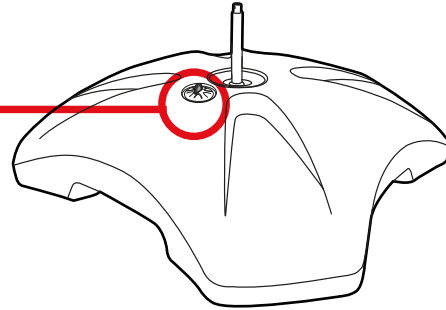
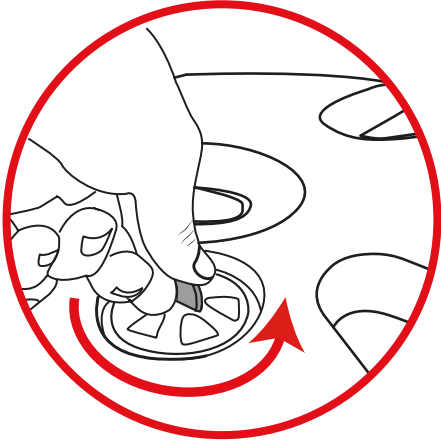
FOR ATTENTION



NOTE: USE SCREWDRIVER AND BOX SPANNER TO TIGHTEN SPIGOT



6

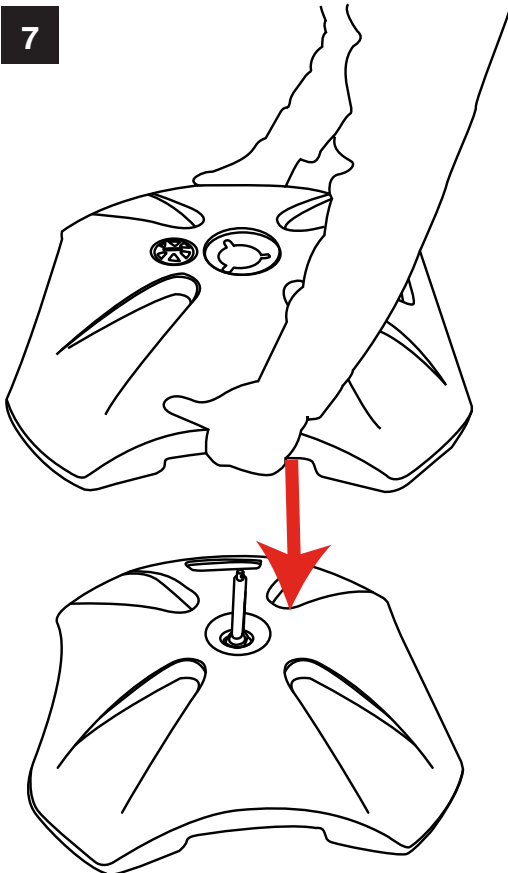


NOTE: TIGHTEN WITH A COIN

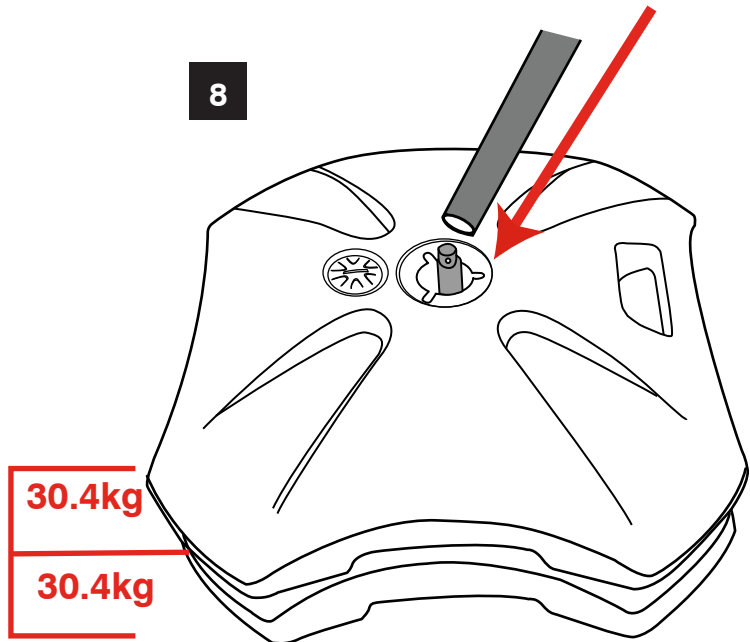


STACKING THE BASES

7



8



TOTAL WEIGHT UP TO 60.8KG