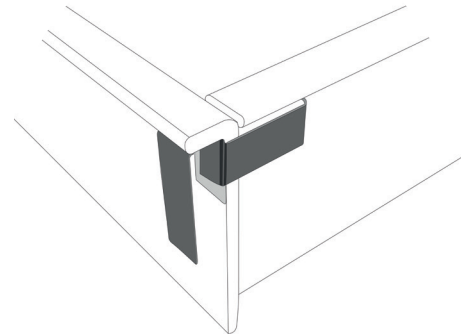
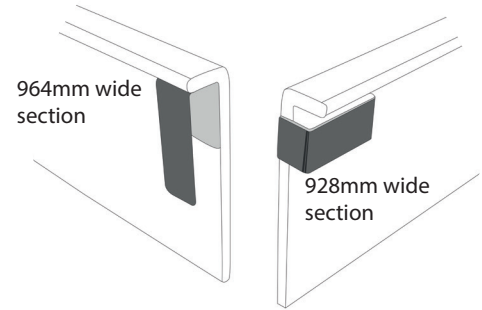


Show Suit

Sections of skirting board are 990mm wide with exceptions of the corners that are 964 and 928mm

- 1.** The ends of your skirting boards line up with the centres of your shell scheme uprights.
- 2.** The metal brackets on your skirting boards rest against your ShowSuit rails which have magnets in to hold them.
- 3.** In the corner one of the metal brackets hooks around the end of the other skirting board (see diagram)



This is how the corners fit together