



High quality
roto-moulded
case with metal
hardware
manufactured in
the UK.

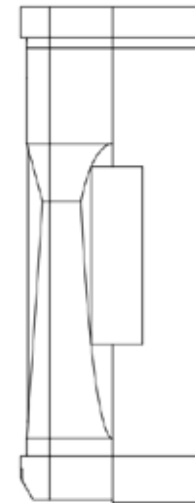
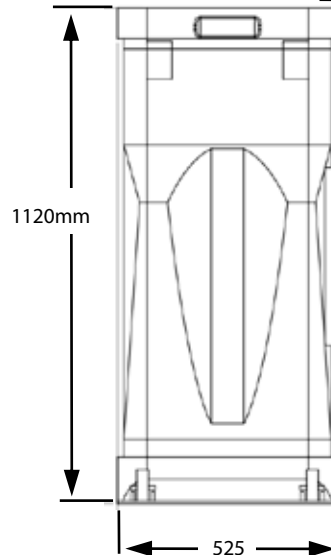
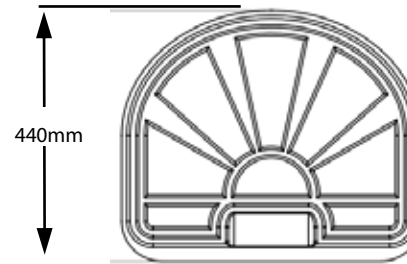
Optional Extra:
Table top available in
black, silver or oak.



Combine 2x EOS
Cases for the ultimate
portable display stand.



Graphics Wrap
1601 x 945 mm
(Includes 25mm
overlap)



Internal Dimensions:

Width: 460mm
Depth: 395mm
Height: 1100mm
Weight: 6kg
Material: MDPE

